



Columbia

Product Catalogue

FAMILY VALUES

STRENGTH. HEART. INTEGRITY.



When you buy from Columbia you are doing more than making a smart purchase, you are joining the Columbia customer family.

We are a family-oriented company with the kind of heart that distinguishes a champion from a challenger. Our values are as strong as our tools and our commitment to our customers is even greater.

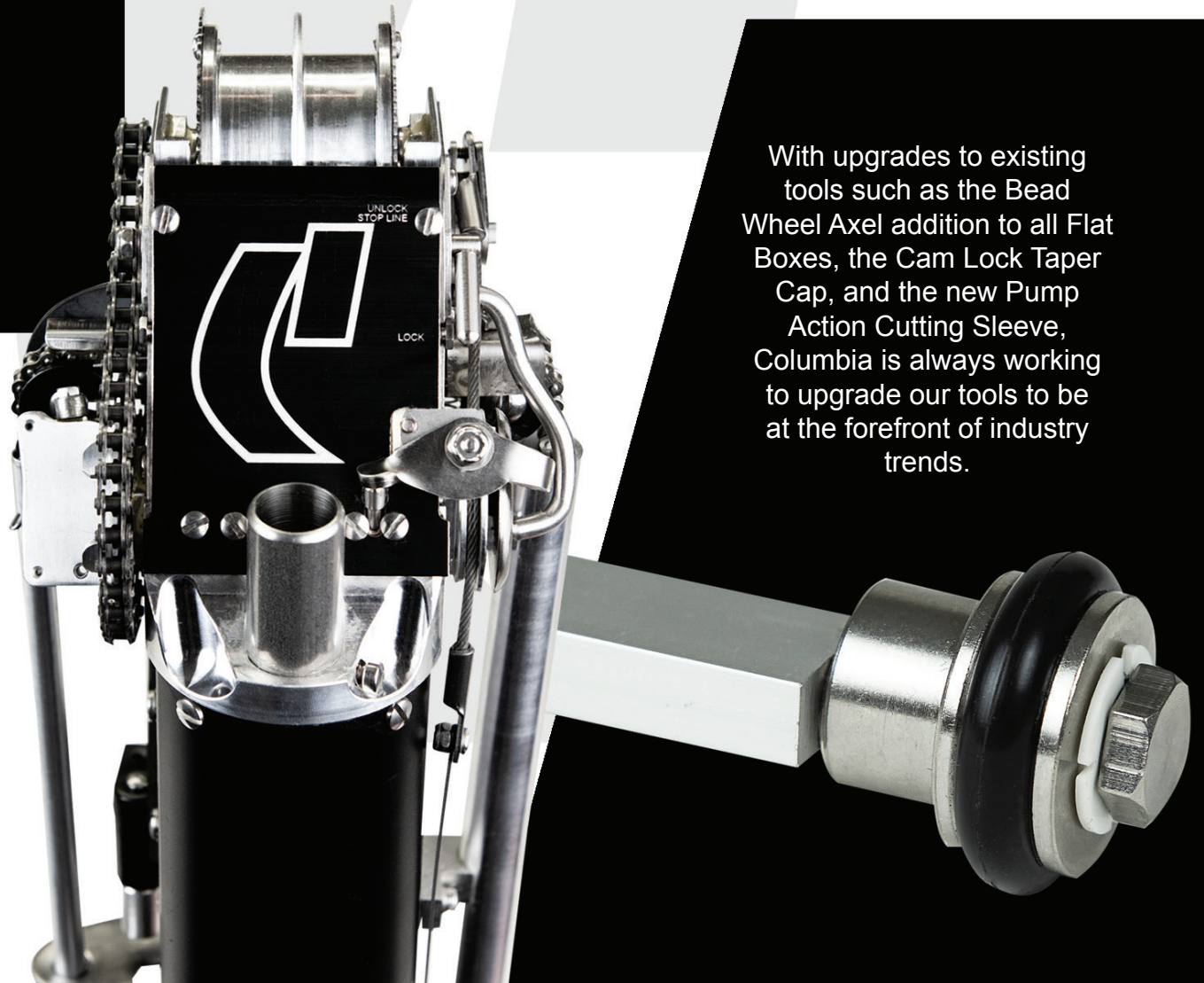
We get our hands dirty every day and search for excellence in everything we do to give you the best experience possible.

GET SOCIAL:
@columbiatools

INNOVATION

Columbia prioritizes innovation for the industry. We strive to improve the experience for the end user.

The new tool releases such as the carbon fiber Predator Automatic Taper, the Corner Cobra, the Tomahawk Smoothing Blades, the Phantom DDM Sander, the Matrix Box Handle and the Road Case, combined with the existing tool upgrades, make Columbia the most innovative Taping Tools company on the market.



With upgrades to existing tools such as the Bead Wheel Axel addition to all Flat Boxes, the Cam Lock Taper Cap, and the new Pump Action Cutting Sleeve, Columbia is always working to upgrade our tools to be at the forefront of industry trends.

TOOL INDEX

- 03 TAPERS
- 05 CORNER ROLLERS
- 06 OUTSIDE CORNER ROLLERS
- 07 ANGLE HEADS
- 08 CORNER FLUSHER BOXES
- 09 FLAT BOXES
- 11 NAIL SPOTTERS
- 12 MUD PUMPS
- 13 SMOOTHING BLADES
- 14 COLUMBIA ONE
- 15 BOX HANDLES
- 16 SEMI AUTOMATIC TOOLS
- 19 SANDERS
- 20 ROAD CASE
- 21 MAINTENANCE KITS



WHY COLUMBIA?

We do everything ourselves, in-house, right here in North America. Our tools are designed, manufactured and assembled with pride under one roof. What does this mean to you? The best possible experience. The power of knowing that you are only one call away from getting what you need faster, more efficiently and consistently. Our customers love the fact that we respond to their needs with the highest quality tools and the best support.

JOIN US ON SOCIAL:



1.800.663.8121 / COLUMBIATOOLS.COM

AUTOMATIC TAPER

We have been perfecting our Automatic Taper for over 40 years. The results of our superior engineering, craftsmanship, and service are proven daily among the world's top commercial and residential drywall contractors. Our Taper has been specifically designed to run at peak performance in the most demanding commercial environments where daily punishment and abuse are run of the mill. When you are tired of compromising, step into a Columbia Taper.



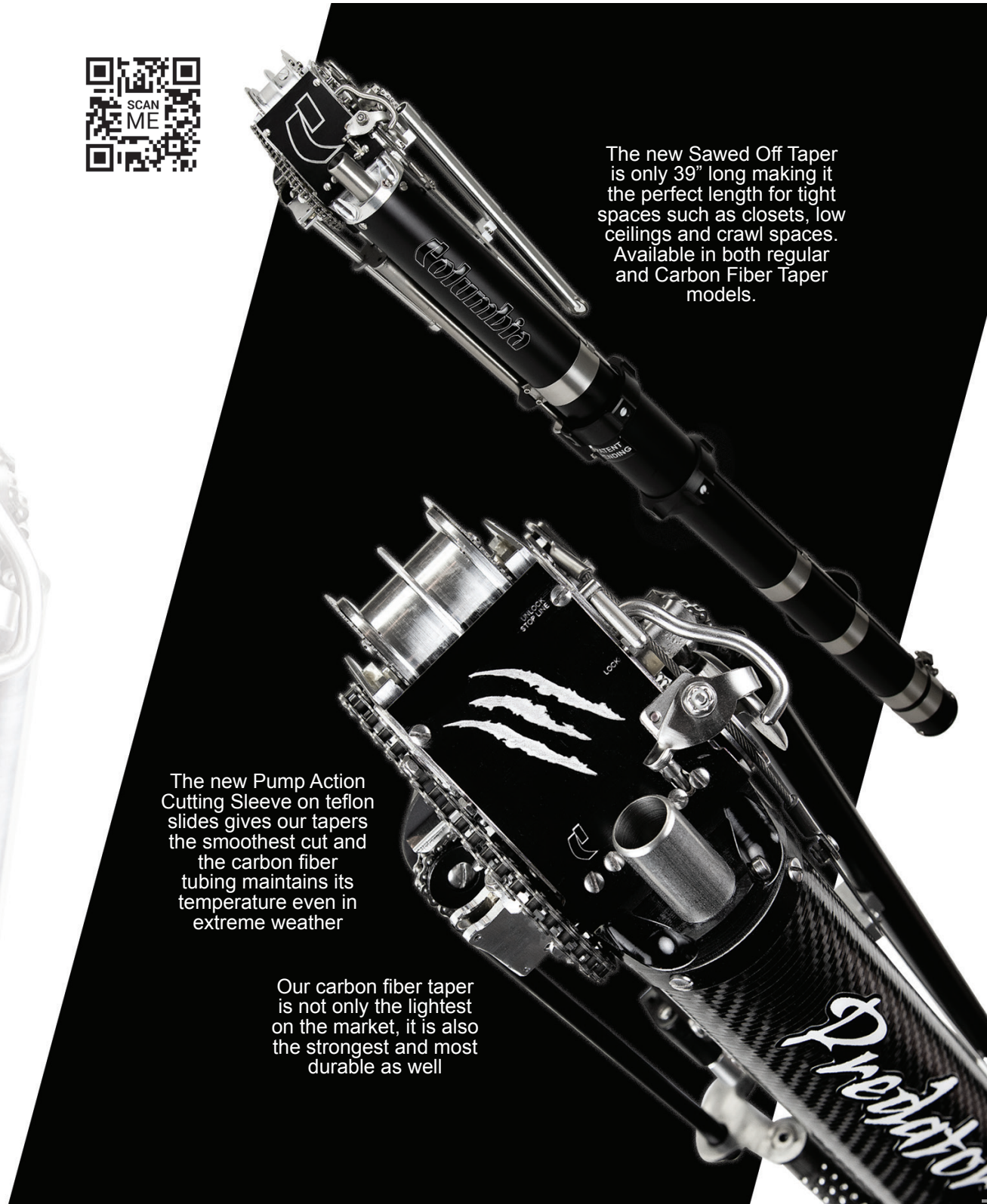
Predator

Our Carbon Fiber Predator is the latest innovation out of the Columbia workshop. The lightest, but most durable taper on the market, the Predator is the next generation of top notch drywall tools.

Item No. Description

TAPER	Columbia Automatic Taper (53" length)
PTAPER	Columbia Predator (Carbon Fiber) (53" length)
STAPER	Columbia Sawed Off Taper (39" length)
SPTAPER	Columbia Predator Sawed Off (Carbon Fiber) (39" length)

GET SOCIAL:
@columbiatools

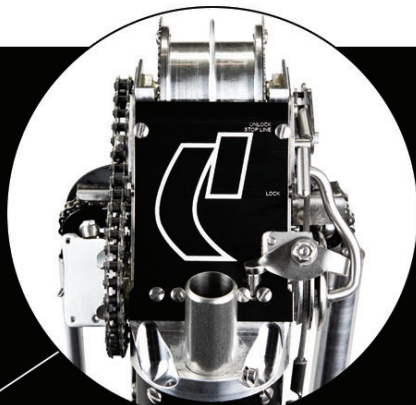


The new Sawed Off Taper is only 39" long making it the perfect length for tight spaces such as closets, low ceilings and crawl spaces. Available in both regular and Carbon Fiber Taper models.

The new Pump Action Cutting Sleeve on teflon slides gives our tapers the smoothest cut and the carbon fiber tubing maintains its temperature even in extreme weather

Our carbon fiber taper is not only the lightest on the market, it is also the strongest and most durable as well

With the new Cam Lock Cap, quick release removal makes cleaning the head and changing the cables fast and easy

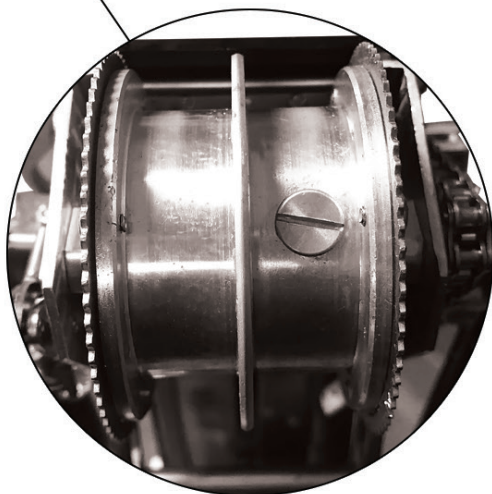


The New Pump Action Sleeve gives you the smoothest cut on the market. This adjustable sleeve runs on Teflon wheels to offer a low friction glide

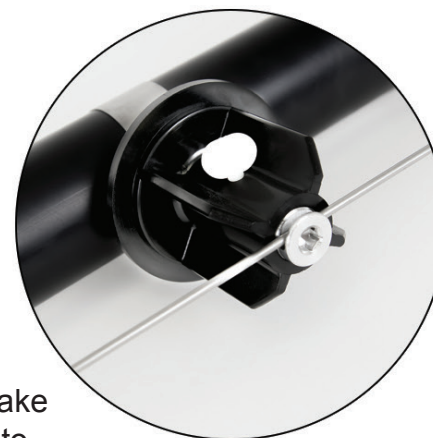


Ergonomic trigger for the creaser wheel

Buttons in the drum prevent mud from entering the head.



We have added a brake on the taper wheel to prevent your tape from running to quickly





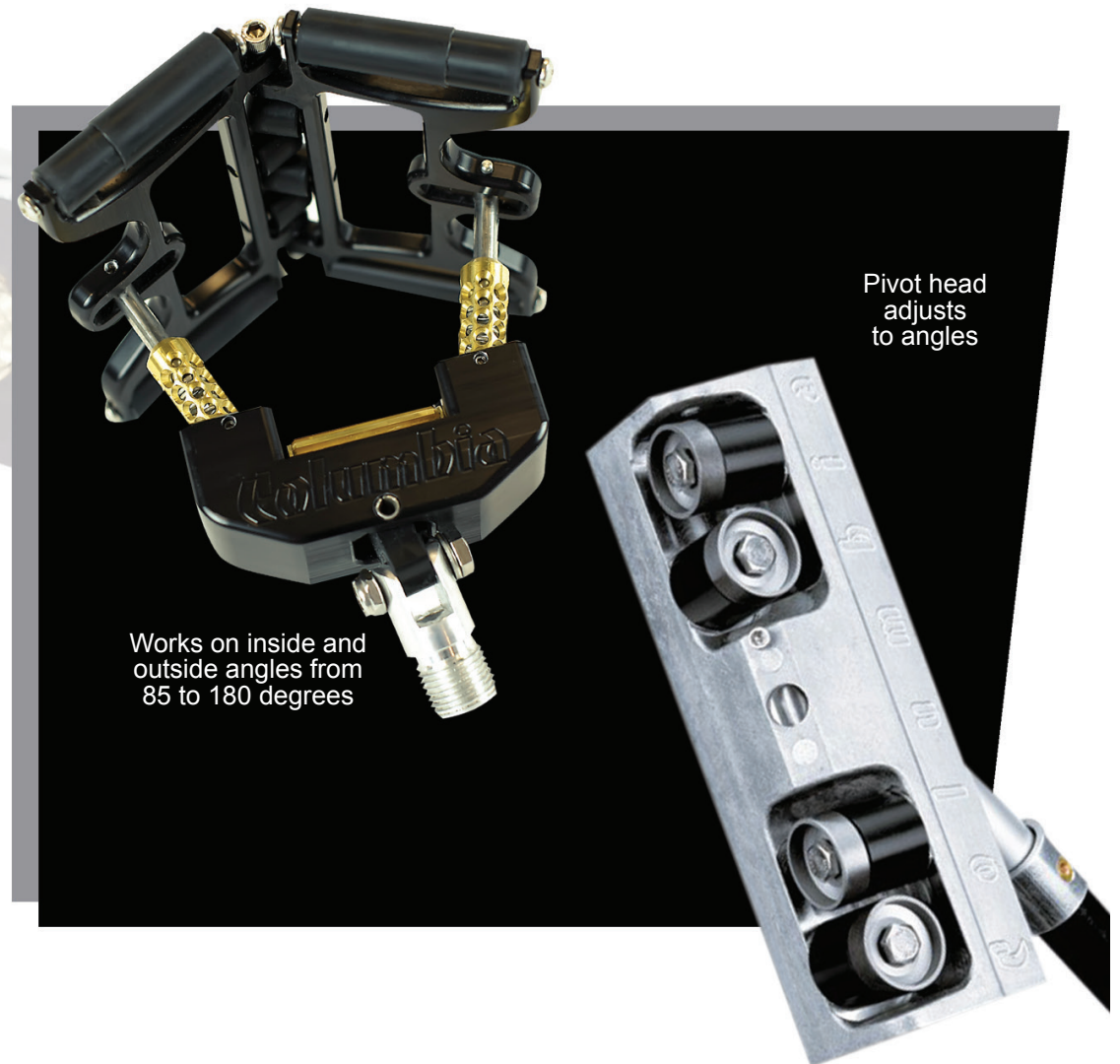
The Corner Cobra is an amazing time saving tool. It allows the user to roll out No-Coat™ and other structural corner beads at almost all inside and outside angles.

We have heard back from users that it does it quicker and better, which to us, is a home run. Another one of our patented products that is changing the time it takes to finish a job.

CORNER ROLLERS

Manufactured with a die-cast head and hardened stainless steel top rollers for long lasting angle work, no other roller can match it. These rollers are used, after the Taper, on 90° internal angle joints on walls and ceilings to embed the tape into angles in preparation for the Angle Heads and Flushers.

The Columbia Corner Roller features split hardened steel/Delrin wheels designed to reduce drag on tape and overall tool weight.



Pivot head adjusts to angles

Works on inside and outside angles from 85 to 180 degrees

Item No.	Description
CC	Corner Cobra
CR	Corner Roller



GET SOCIAL:
@columbiatools

OUTSIDE CORNER ROLLERS

Offering four different profiles, Columbia Outside Corner Rollers will be sure to make your tape on bead setting job faster. Whether you're applying standard, bullnose, wide or euro bead, our rollers make the job easier and help you achieve a great finish every time.

Item No.

Description

COBCR	Standard Outside Corner Roller
CBNCR	Bullnose Outside Corner Roller
COBCRE	Euro/Microbead Outside Corner Roller
COBCRW	Wide Outside Corner Roller

Pivot head
adjusts to
angles



ANGLE HEADS

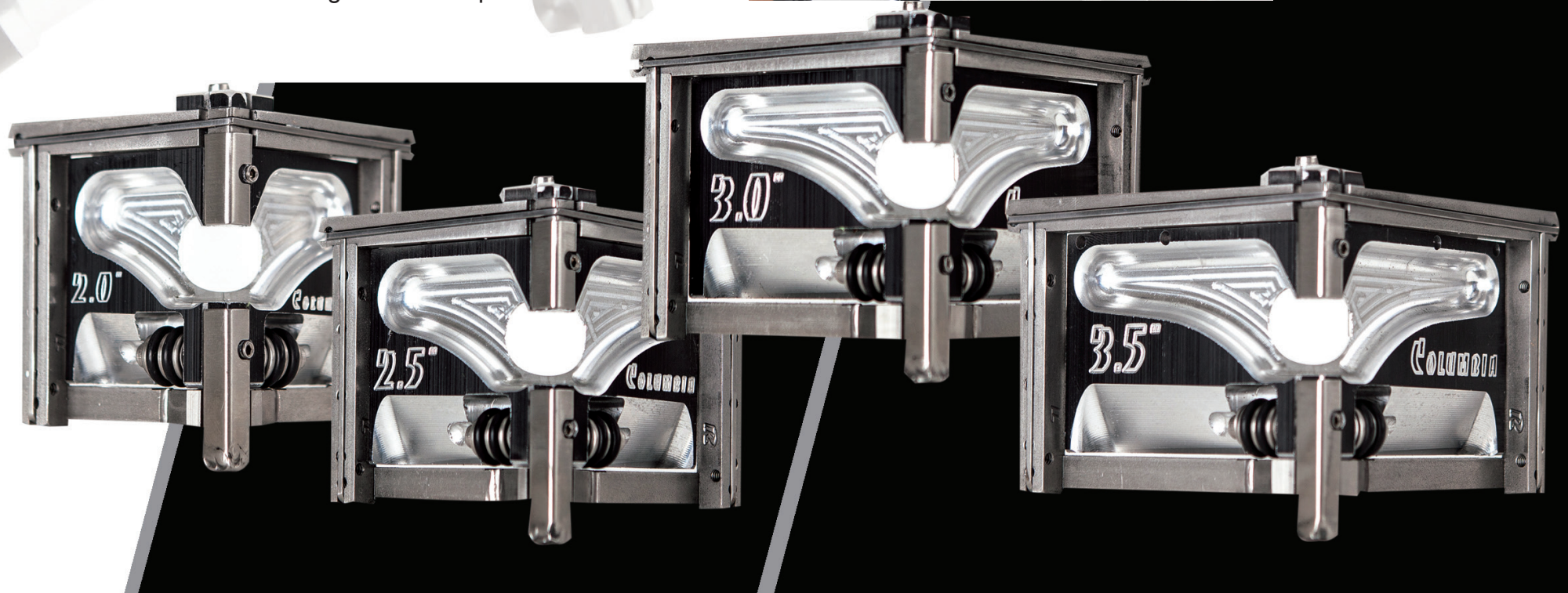
Columbia Angle Heads are the best money can buy! They professionally finish angles with the correct consistency of compound and the proper feathering of edges. Precision machined billet aluminum head and durable stainless steel wings ensure longer wear and performance.

Angle Heads are used in 90° internal angle joints after the Corner Roller to evenly feather compound over tape. All Angle Heads come with wheels for an easier glide.

Item No.

Description

2AH	2" Angle Head
2.5AH	2.5" Angle Head
3AH	3" Angle Head
3.5AH	3.5" Angle Head
AHA	Angle Head Adaptor



CORNER FLUSHER BOX

Our Corner Box is specially angled to access tight corners; its billet aluminum cone dispenses the proper amount of drywall compound smoothly and evenly. Paired together with our billet aluminum Angle Heads, our Corner Boxes are unbeatable. The durable aluminum cone design lasts a lifetime. It does not pit and rust through like other designs made from nickel plated mild steel. Our newly designed cone angle allows you to flush closer into the corners.

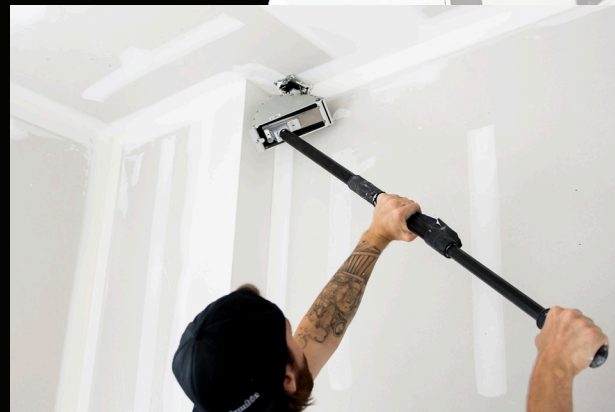
Billet handle mount will not crack under pressure like cast

Solid stainless steel valve for lifetime usage. Will not leak like other welded thin wall designs

Thumb release door stop for quick clean



Columbia
8"



Item No. Description

- 7CFB 7" Corner Flusher Box
- 8CFB 8" Corner Flusher Box



FLAT FINISHER BOX

This is one tough tool. Our flat boxes are considered by many as the best on the market; they are designed to perform day in and day out to finish your job smoothly and evenly.

Item No.	Description
----------	-------------

5.5FFB	5.5" Flat Finisher Box
7FFB	7" Flat Finisher Box
8FFB	8" Flat Finisher Box
10FFB	10" Flat Finisher Box
12FFB	12" Flat Finisher Box
14FFB	14" Flat Finisher Box



This new bead wheel will allow our users to run their Columbia Flat boxes on the bead without wearing down the axel. Comes standard on all flat boxes.



Hinged door system allows you to remove springs eliminating back pressure and keeping the door against the mud at all times

FAT BOY FLAT BOXES

Need a larger, stronger box with greater mud capacity for loading flats and butts? We are proud to meet your needs with our Fat Boy Boxes. Available in 8", 10" and 12" sizes, these boxes really go the extra mile. Fat Boys hold approximately 40% more compound than standard boxes, saving you many trips to the pump.

Item No.	Description
----------	-------------

8FBB	8" Fat Boy Flat Box
10FBB	10" Fat Boy Flat Box
12FBB	12" Fat Boy Flat Box



GET SOCIAL:
@columbiatools



AUTOMATIC FLAT BOXES

The Automatic Flat Boxes reduce the need to push the compound on to the wall. By engaging the axel wheels, the box springs put pressure on the compound chamber requiring only a light push to operate the box. Well-built and fine-tuned to offer great flat joints for years.

Item No.

Description

8FFBA	8" Automatic Flat Box
10FFBA	10" Automatic Flat Box
12FFBA	12" Automatic Flat Box
14FFBA	14" Automatic Flat Box
8FBBA	8" Automatic Fat Boy Box
10FBBA	10" Automatic Fat Boy Box
12FBBA	12" Automatic Fat Boy Box
8ITFB	8" Inside Track Fat Boy Box
10ITFB	10" Inside Track Fat Boy Box
12ITFB	12" Inside Track Fat Boy Box

INSIDE TRACK BOXES

The key advantage of having wheels inside the side plate is in running butt joints and navigating obstacles such as potlights and door jams. The key is having the wheels inside the coating path of the box blade.

NAIL SPOTTERS

Our Nail Spotter has an extremely light weight and durable design. It's hinged door allows for easy access and cleaning, and the adjustable thumb tension screw allows for quick and easy adjustment of pivot tension.

Item No.

Description

2NS	2" Nail Spotter
3NS	3" Nail Spotter
HNSA-5-2	2" Wheel Conversion Kit
HNSA-5-3	3" Wheel Conversion Kit



GET SOCIAL:
@columbiatools



The Nail Spotter is quietly becoming a must-have in every Finisher's tool set



MUD PUMP

Our Mud Pumps are built to exacting air-tight standards making them the easiest pump to prime. They're fabricated with an anodized aluminum cylinder, durable stainless steel shaft, a precision machined cast aluminum head and a tough solid billet aluminum leg.

TALL BOY MUD PUMP

The Tallboy is a mud pump that will allow you to stand upright while filling your tools. The extra height also allows for use in a 30 gallon pale for those who want to cut down on mixing time. Ergonomically superior, this pump saves the user physical stress and energy.



Item No.	Description
HMP	Hot Mud Pump
TBMP	Tall Boy Hot Mud Pump
HMP-C	Hot Mud Pump (CDN)*
BF	Box Filler
TBBF	Tall Boy Box Filler
GN	Gooseneck
TBGN	Tall Boy Gooseneck

*CDN version fits in taller CDN buckets

Tomahawk SMOOTHING BLADES

Made of strong billet aluminum, the Columbia Tomahawk Smoothing Blades have no plastic parts that will break or crack under the heavy weight of the larger blades. This makes the Tomahawk blades the strongest and most durable smoothing blades on the market today.

The blades are replaceable and can be switched out if needed. The Tomahawk blades are compatible with all flat box handles or use the CLTHA (fixed lock adaptor) that fits the Columbia One handles, as well as the Twist Lock Handle.

* Available in 9 different sizes

Item No.

Description

TSB-7	7" Tomahawk
TSB-10	10" Tomahawk
TSB-12	12" Tomahawk
TSB-14	14" Tomahawk
TSB-18	18" Tomahawk
TSB-24	24" Tomahawk
TSB-32	32" Tomahawk
TSB-40	40" Tomahawk
TSB-48	48" Tomahawk
CLTHA	Cam Lock Handle Adaptor



GET SOCIAL:
@columbiatools

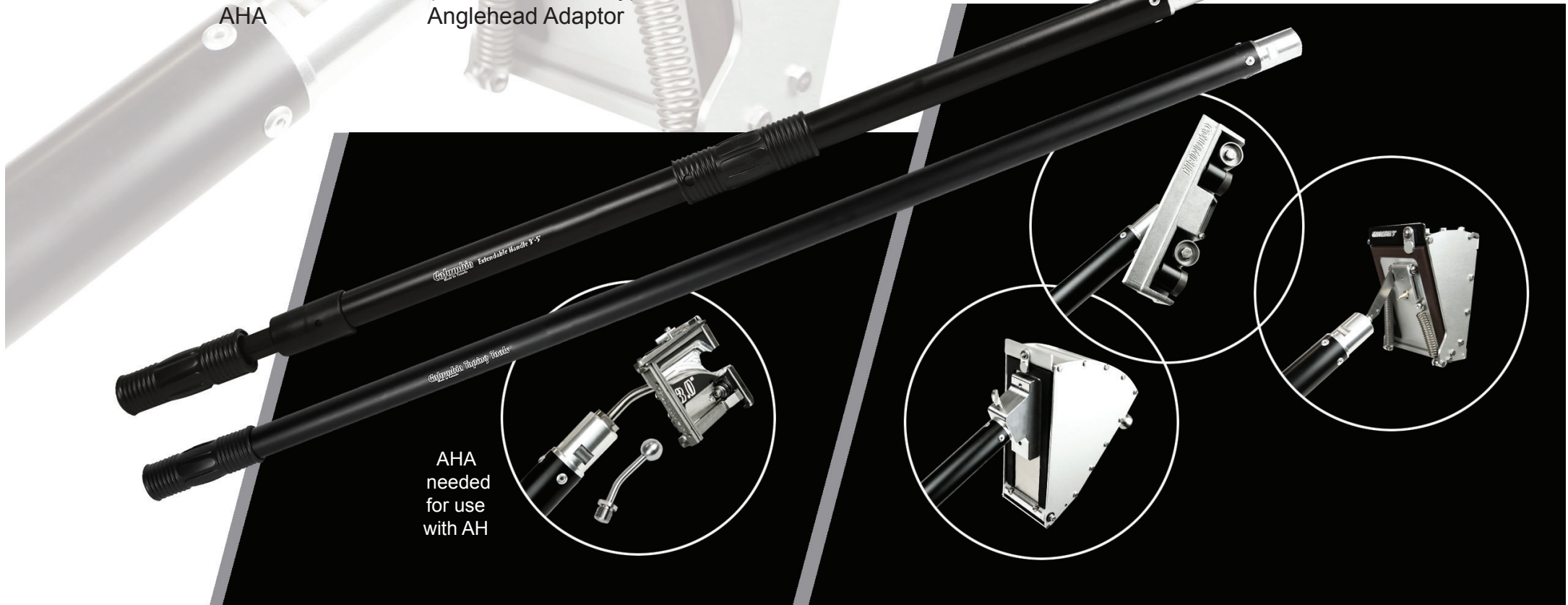
COLUMBIA ONE

The Columbia One Handle is designed to work with your Columbia products universally. From the Nailspotters and Angleheads, to the Rollers and the Corner Boxes, the One system allows you to lighten your load and still utilize all the finishing tools you love.



Item No.	Description
----------	-------------

C1H	Columbia One Handle
C1HEXT	Columbia One Extendible (3-5')
CHXL	Columbia Long Extendible (4-8') (AH, CR, & NS only)
AHA	Anglehead Adaptor



AHA
needed
for use
with AH



THE MATRIX

The Columbia **Matrix Flat Box Handle** is lightweight and all mechanical.

With a 90 degree grip, the Matrix gives you increased control over your box. These handles are durable and extremely long lasting, all while maintaining the comfort and ease of use that you're used to with the Columbia brand of tools.

The Columbia Matrix mechanical flat box handle is made of all billet aluminum, ensuring a long life.

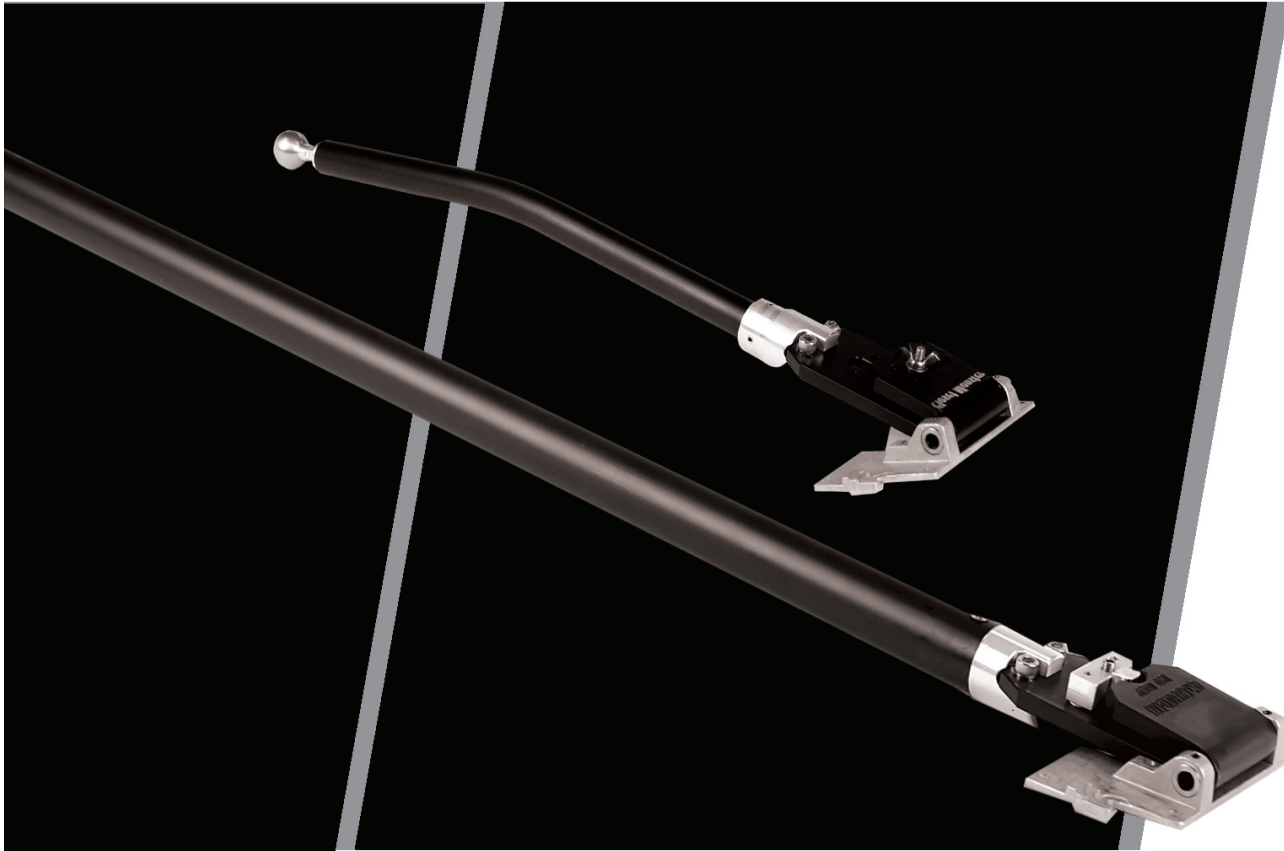


HYDRA REACH BOX HANDLE

The Hydraulic Power Grip of the **Extendible Flat Box Handles** is a light touch system that allows you to achieve more pressure with less force.

This entirely closed hydraulic system is clean and carefree - no mess and nothing to fill. The new design features a smaller reservoir that is out of the way, an easier to grip lever, a soft grip for more comfort and our new thumb-click.





CLOSET MONSTER

The **Closet Monster** is especially useful for boxing tight areas where a longer handle will not fit.

At approximately 19 inches in overall length this short handle is a great option for closets and other small spaces. An adjustable wing-nut on the head allows you to fix the box at your desired angle.

Item No.

Description

3BH	3' 180° Grip Flat Box Handle
42BH	42" 180° Grip Flat Box Handle
4BH	4' 180° Grip Flat Box Handle
5BH	5' 180° Grip Flat Box Handle
6BH	6' 180° Grip Flat Box Handle
CMH	Closet Monster Flat Box Handle
MH	Matrix Flat Box Handle 40"-60"
EBH	Hydra Reach Box Handle 42"-63"
EBHL	XL Hydra Reach Box Handle 58"-80"

180° GRIP FLAT BOX HANDLE

180° Grip Flat Box Handles allow for continuous braking over the entire range of motion - a complete 180 degrees.

This ensures that you never lose your grip when adjusting your position. Extra strong aluminum design for years of rugged use.

SEMI AUTOMATIC TAPER

The Semi-Automatic Taper or “Bucket Taper” allows users to apply a specific amount of compound to a large volume of tape. It has a tape spool with brake to cut down on operator fatigue. Columbia’s Semi Automatic Taper is easy to use, durable and has laser engraved instruction on the door.

COMPOUND TUBES

Built to last, and hands down the smoothest and most durable tubes on the market. Expect quality with our Compound Tube and our Cam Lock Tube. Available sizes include 24”, 32”, 42” and 55”.

Item No.	Description
----------	-------------

SAT	Semi Automatic Taper
CMT24	24” Compound Tube
CMT32	32” Compound Tube
CMT42	42” Compound Tube
CMT55	55” Compound Tube
CLT24	24” Cam Lock Tube
CLT32	32” Cam Lock Tube
CLT42	42” Cam Lock Tube
CLT55	55” Cam Lock Tube



GET SOCIAL:
@columbiatools



BILLET MUD APPLICATORS

These tools glide along the wall leaving the perfect amount of compound on flat surfaces. Machined from a solid piece of billet and then mounted with stainless runners, this tool is built to work.

UHMW MUD APPLICATORS

Our new plastic applicators are a hit! Proportionate grooves give you a consistent mud distribution on the wall and speeds up the pre-filling process. Made out of UHMW, the strong durable design makes these Mud Heads the best on the market.



Item No.

Description

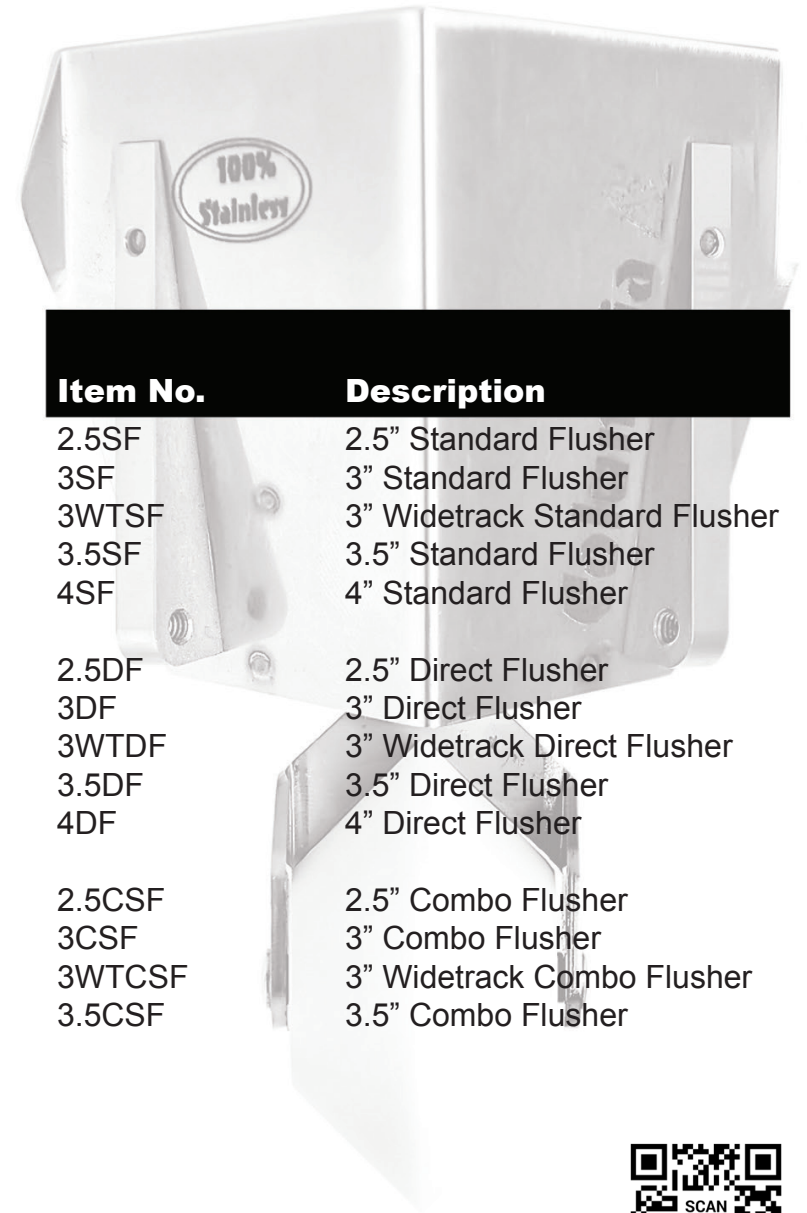
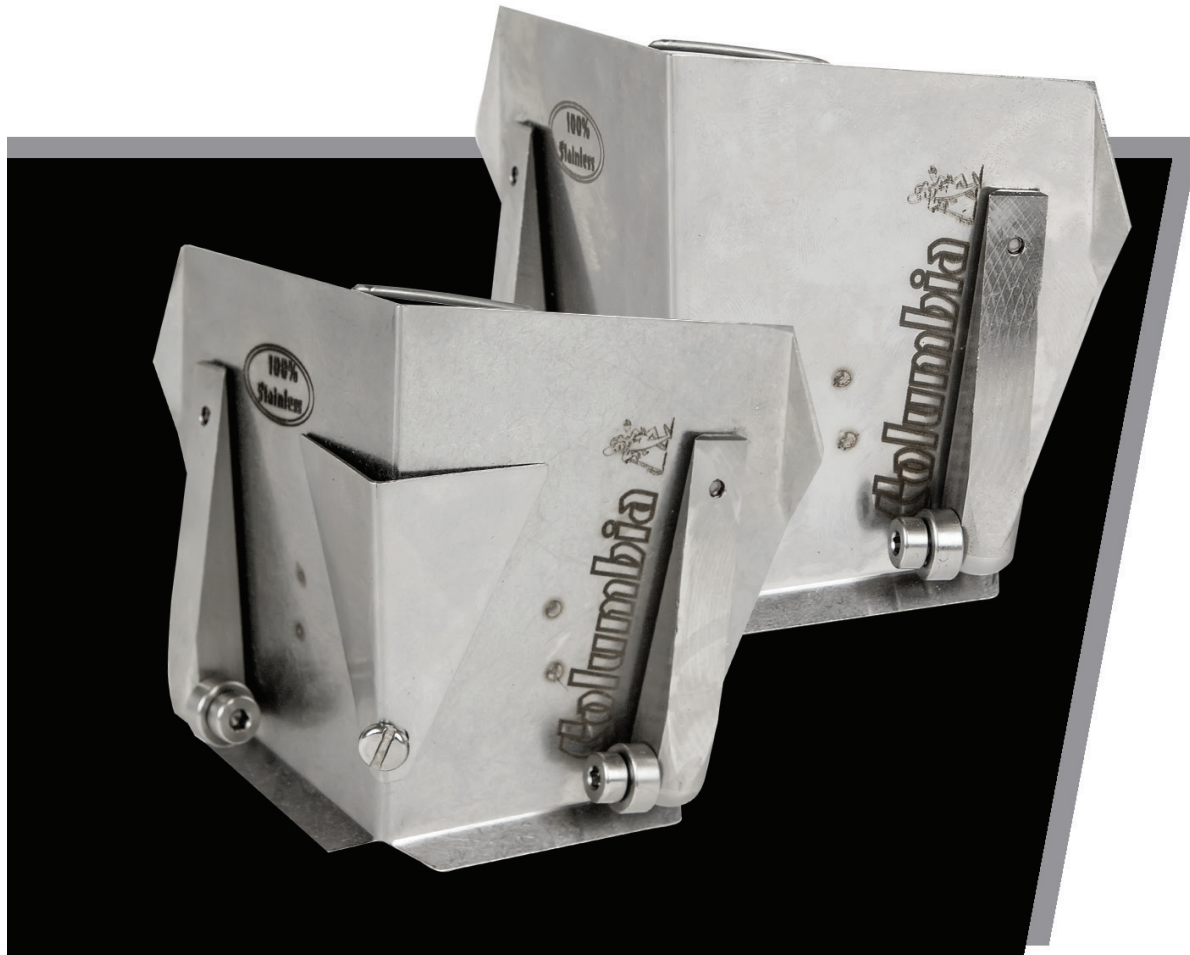
ICATW	Two-Way Internal Corner Applicator (4 Wheels)
ICA2-1	Inside Corner Applicator (2 Wheels) - 1"
ICA4-1	Inside Corner Applicator (4 Wheels) - 1"
CEXT90	External 90° Applicator
CFLT	Flat Applicator

FMH	L-Trim Applicator (Plastic)
IA90	Inside 90° Applicator (Plastic)
OA90	Outside 90° Applicator (Plastic)
OA90-325	Outside 90° 325 Applicator (Plastic)



CORNER FLUSHERS

Columbia Corner Flushers are widely known for being the best on the market. These Flushers have redefined angle finishing. They are built from the best materials, but above all, every single Flusher is hand ground and checked on a granite plate for perfection. All Flushers come with wheels for easy glide.



Item No.	Description
----------	-------------

2.5SF	2.5" Standard Flusher
3SF	3" Standard Flusher
3WTSF	3" Widetrack Standard Flusher
3.5SF	3.5" Standard Flusher
4SF	4" Standard Flusher
2.5DF	2.5" Direct Flusher
3DF	3" Direct Flusher
3WTSF	3" Widetrack Direct Flusher
3.5DF	3.5" Direct Flusher
4DF	4" Direct Flusher
2.5CSF	2.5" Combo Flusher
3CSF	3" Combo Flusher
3WTSF	3" Widetrack Combo Flusher
3.5CSF	3.5" Combo Flusher



THE PHANTOM DDM SANDER

The Columbia Phantom Sander is a dustless sander head, pole and hose that connects to any vacuum with standard 1.5" inlet.

The pole extends 26" to 46" and the hose is 30 ft long. The Phantom sands corners easily because of its shape and collects 99% of dust.



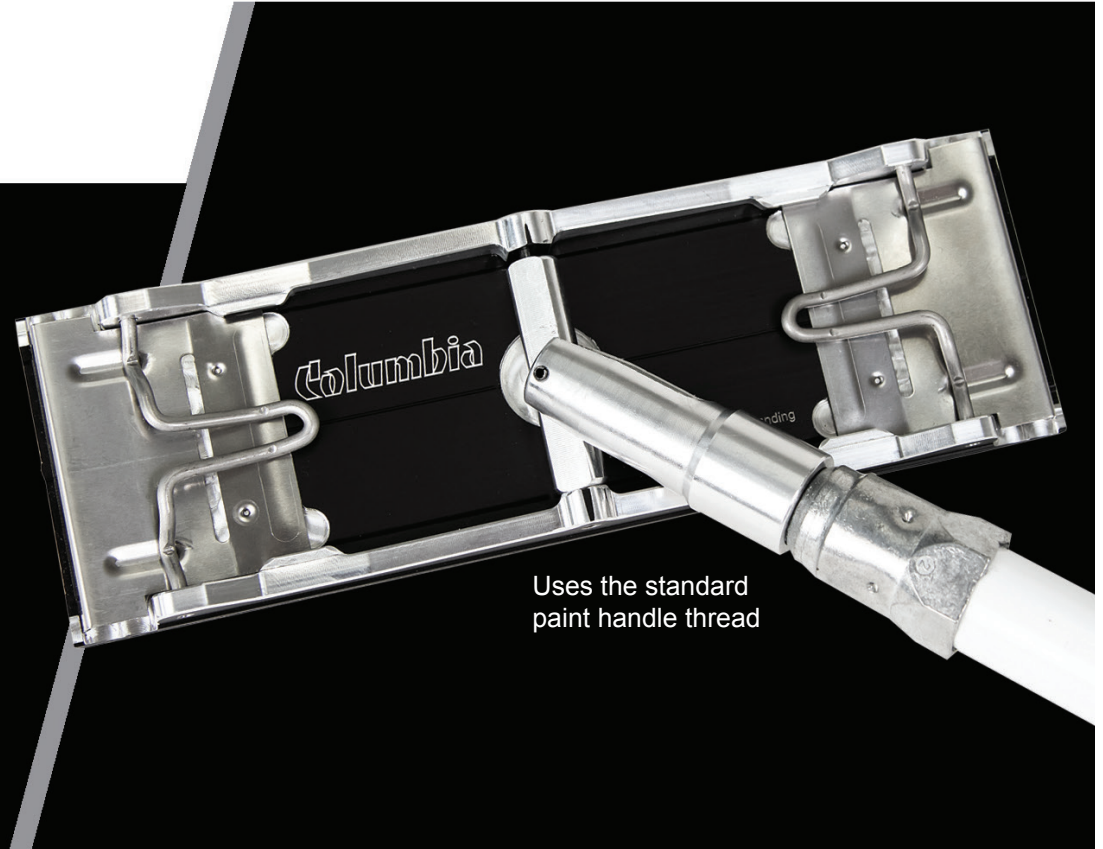
THE SANDER HEAD

The Columbia Sander Head incorporates all of the industry's preferred functionalities in the first fully machined billet aluminum body. Utilizing our No Flip technology, our Sander Head flows smoothly on the wall.

Item No.

Description

PDDM	Phantom DDM Sander
CS	Columbia Sander Head
CSH	Columbia Sander Pole
TL-3-8	Twist Lock Handle w PHA



Uses the standard paint handle thread

ROAD CASE

The highly requested Columbia Road Case has a highly durable design to protect your tools on the job. Built to take the abuses of travel and wear and tear from job sites the Road Case comes equipped with rubber feet, rolling wheels and ergonomical handles. This case will hold a full set of Columbia tools.

Item No.

RC

Description

Road Case (17"x9"x57")



GET SOCIAL:
@columbiatools

MAINTENANCE KITS

Columbia offers many kits to keep your tools working for you. Available in a convenient clam shell case for easy storage of parts, each kit has an accompanying video on Youtube and on the Columbia website to walk you through every step of installation. And as always, our experts are only a phone call or email away!

Item No.	Description
----------	-------------

AHR-BK-2	Anglehead Blade Kit 2"
AHR-BK-2.5	Anglehead Blade Kit 2.5"
AHR-BK-3	Anglehead Blade Kit 3.5"
AHR-K	Anglehead Maintenance Kit
CC-RK	Corner Cobra Maintenance Kit
CRA-2	Corner Roller Wheel Kit
CTA-41	Cutter Block Assembly
CTR-1	Taper Maintenance Kit
CTR-2	Taper Head Maintenance Kit
CTR-42A	Taper Blades Kit
CTR-63	Taper Needles Kit
CTR-72	Taper Cables Kit
FFBA-36	Box Wheels Kit
FFBR-7-7A	Box Shoes Kit
FFBR-9-5.5	Box Blades Kit 5.5"
FFBR-9-7	Box Blades Kit 7"
FFBR-9-8	Box Blades Kit 8"
FFBR-9-10	Box Blades Kit 10"
FFBR-9-12	Box Blades Kit 12"
FFBR-9-14	Box Blades Kit 14"
HNSA-5-2	Nail Spotter Wheel Kit 2"
HNSA-5-3	Nail Spotter Wheel Kit 3"
HNS7-2	Nail Spotter Blade 2"
HNS7-3	Nail Spotter Blade 3"
HHR-1	Hydra Handle Maintenance Kit
MPR-1	Mud Pump Maintenance Kit



**SCAN THE QR CODE ON THE KIT!
INSTRUCTIONAL YOUTUBE VIDEOS
FOR EVERY MAINTENANCE KIT!!!**

MAKING TAPING TOOLS EASY

Columbia

Suite A - 19169 - 21st avenue
Surrey, British Columbia
V3Z 3M3
Canada

1.800.663.8121

support@columbiatools.com
techsupport@columbiatools.com

www.columbiatools.com
FB, YouTube, IG: [@columbiatools](#)



QUALITY.
VALUE.
INNOVATION.